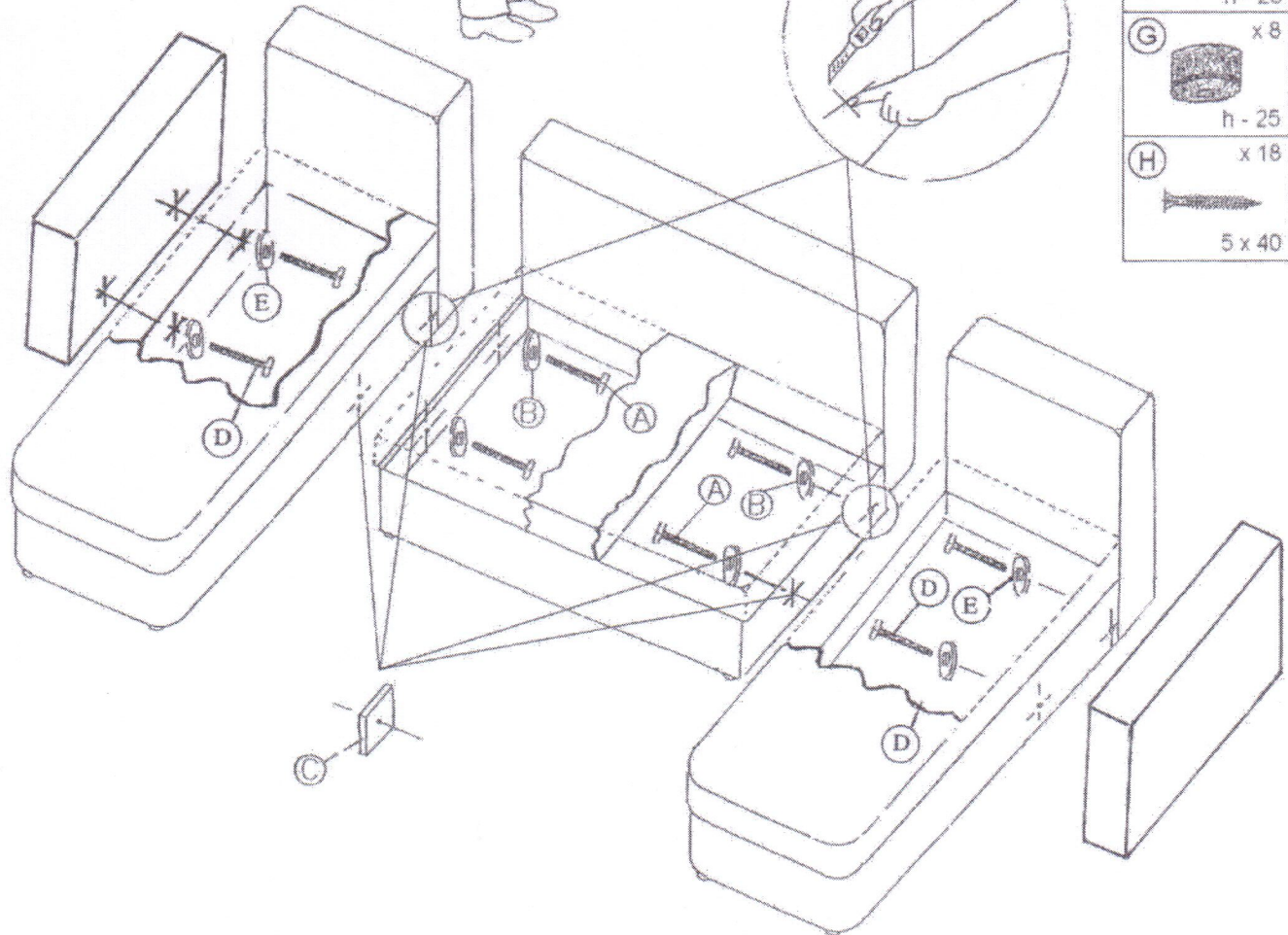
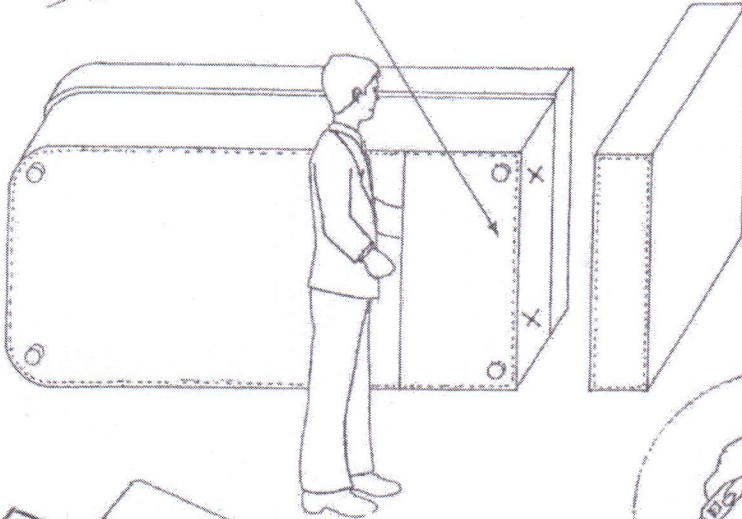
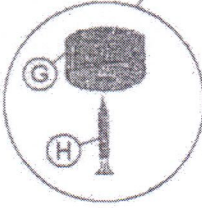
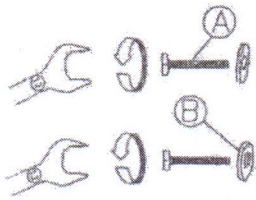
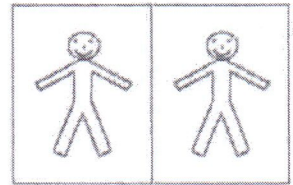
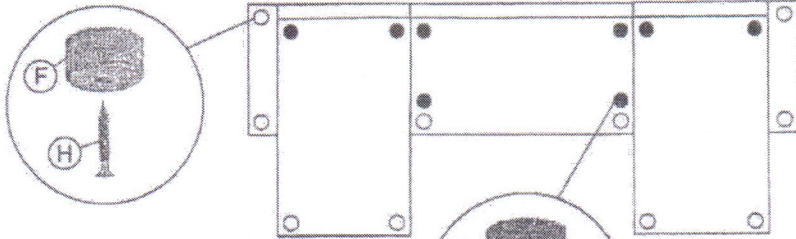


# RUMBA



- |        |      |
|--------|------|
| (A)    | x 8  |
| M8x50  |      |
| (B)    | x 8  |
| M8x21  |      |
| (C)    | x 4  |
| M6x40  |      |
| (D)    | x 4  |
| M6x17  |      |
| (E)    | x 10 |
| h - 25 |      |
| (F)    | x 8  |
| h - 25 |      |
| (G)    | x 18 |
| 5 x 40 |      |