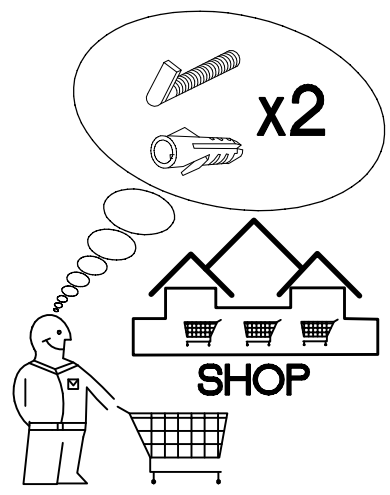
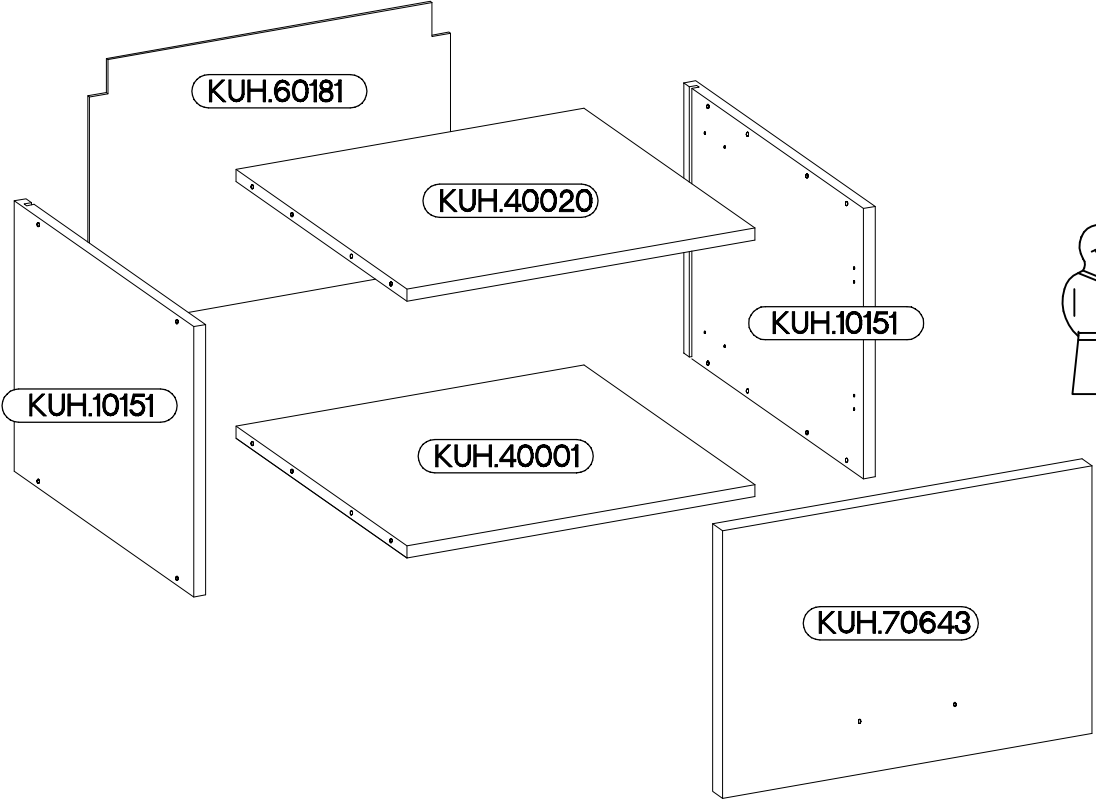
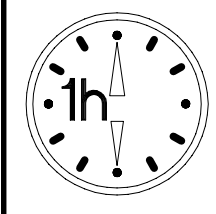
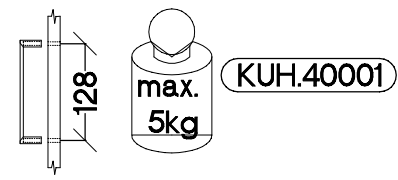
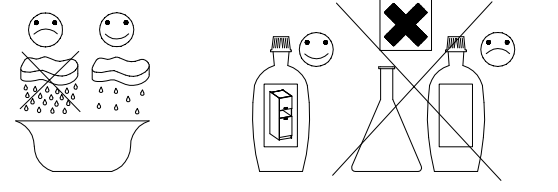
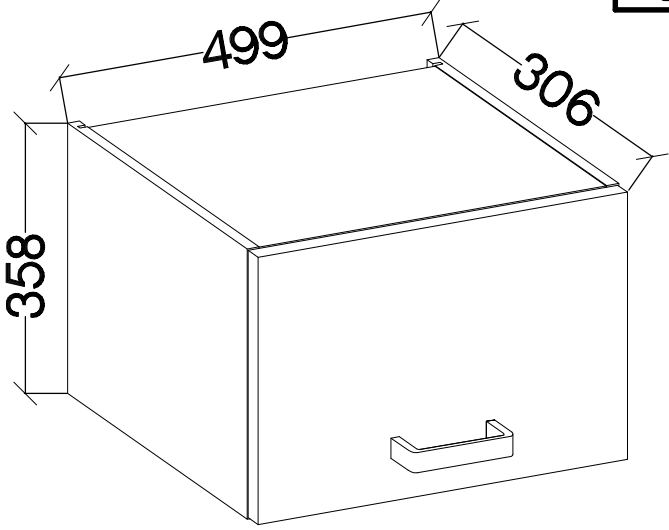
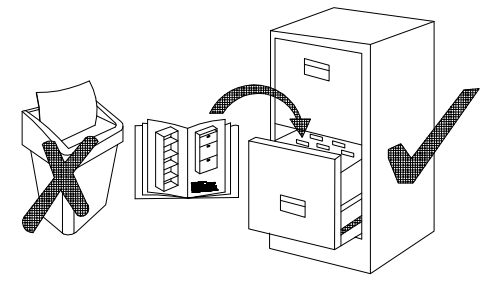


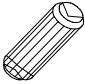
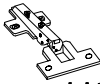


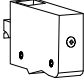
50 GU-36

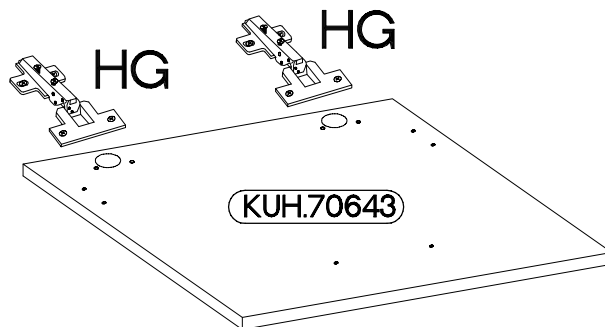
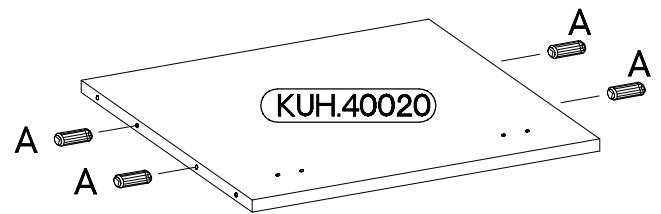
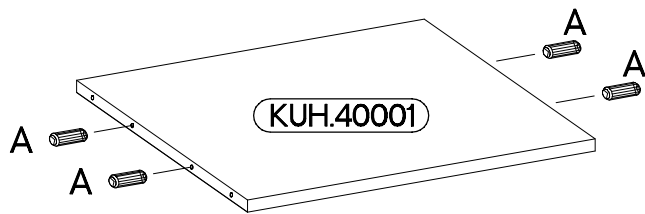
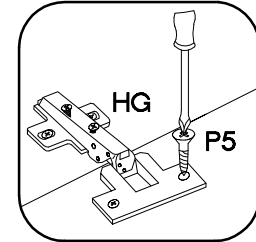
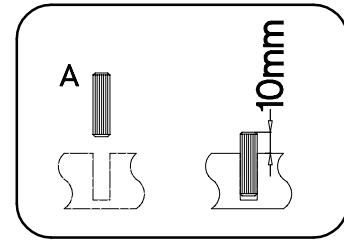
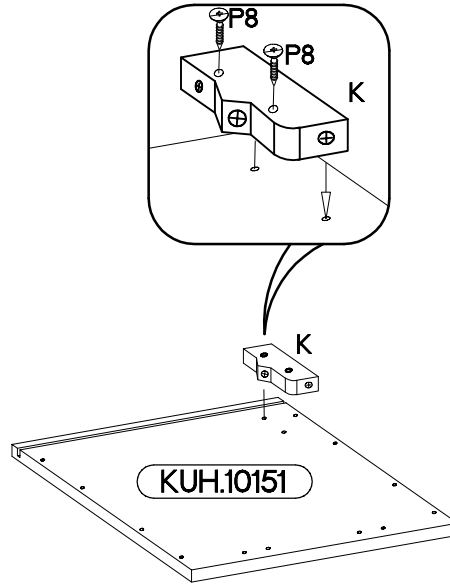
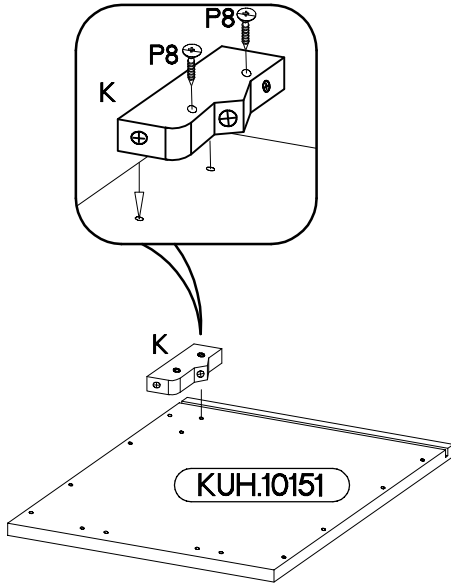
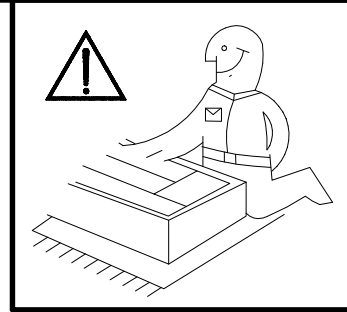


 ±8x30mm A 8	 6,4 x 50mm B 8	 E1 8	 ±35/0mm HG 2	 K 2	 K24 2
 O 1	 ±3.5x13mm P5 4	 ±3.0x20mm P7 8-10	 ±4.0x30mm P8 4	 S23 1	 M4x22mm U 2


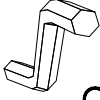



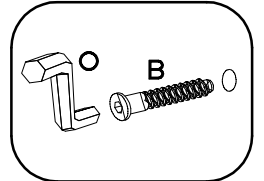
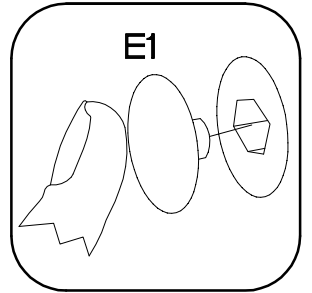
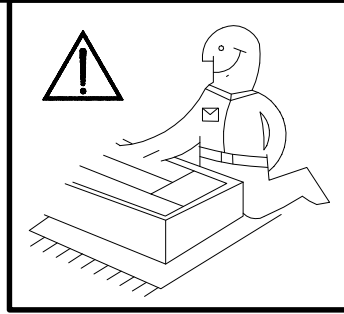
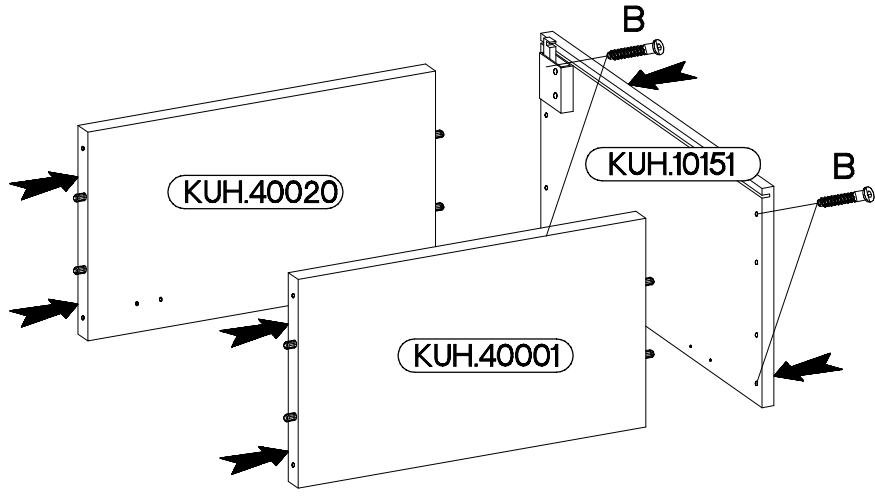
ISM-KUH-00922

±8x30mm  A 8	±35/0mm  HG 2	±3.5x13mm  P5 4	±4.0x30mm  P8 4	 K 2
---	--	--	--	--


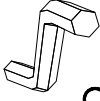



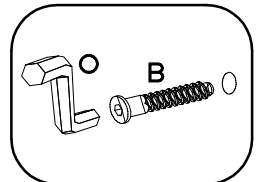
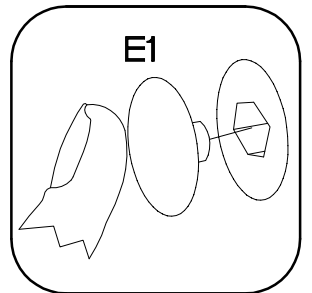
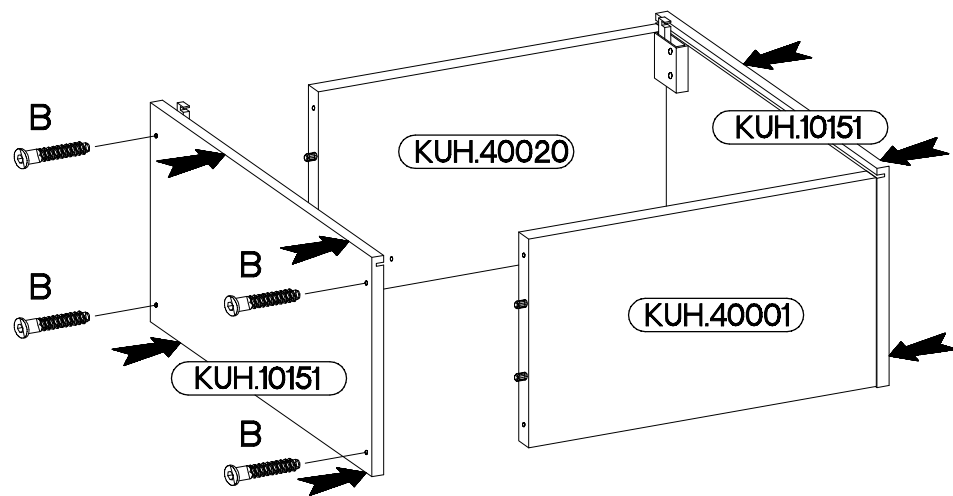
2

6,4 x 50mm		
		
B	O	E1
4	1	4

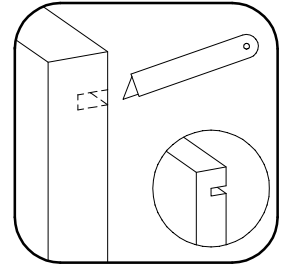
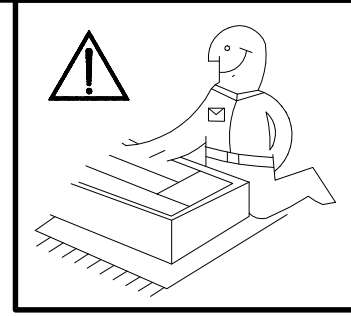
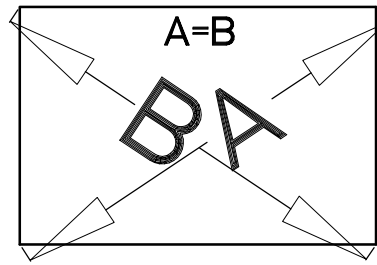
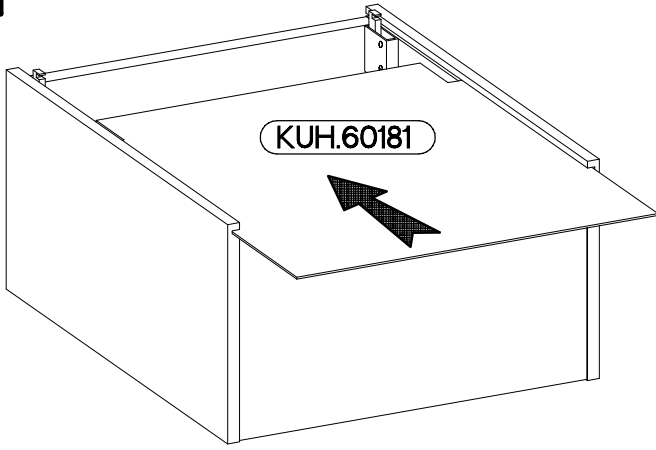


3

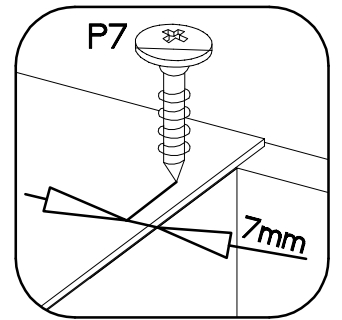
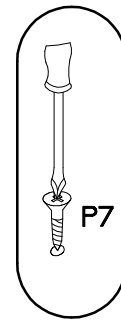
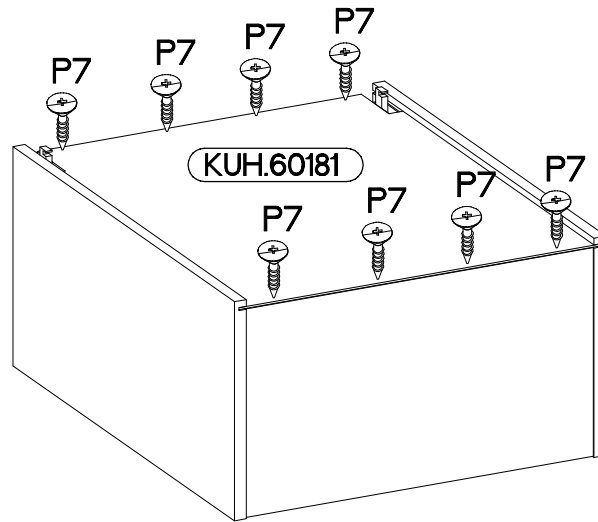
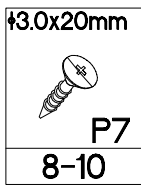
6,4 x 50mm		
		
B	O	E1
4	1	4



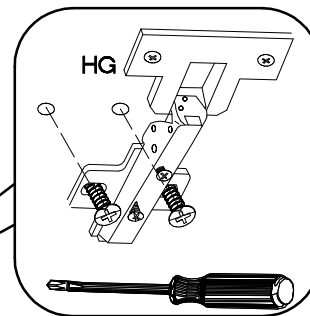
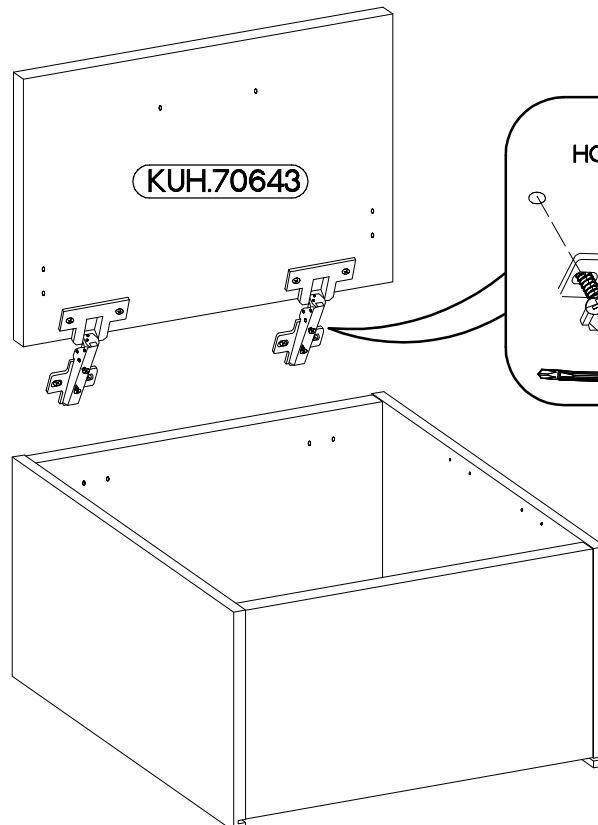
4



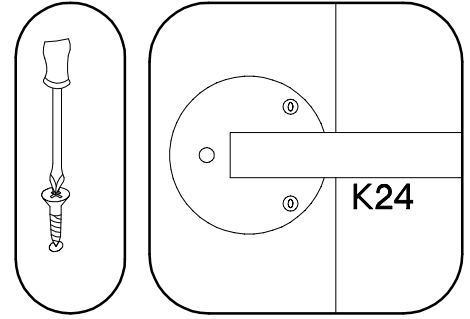
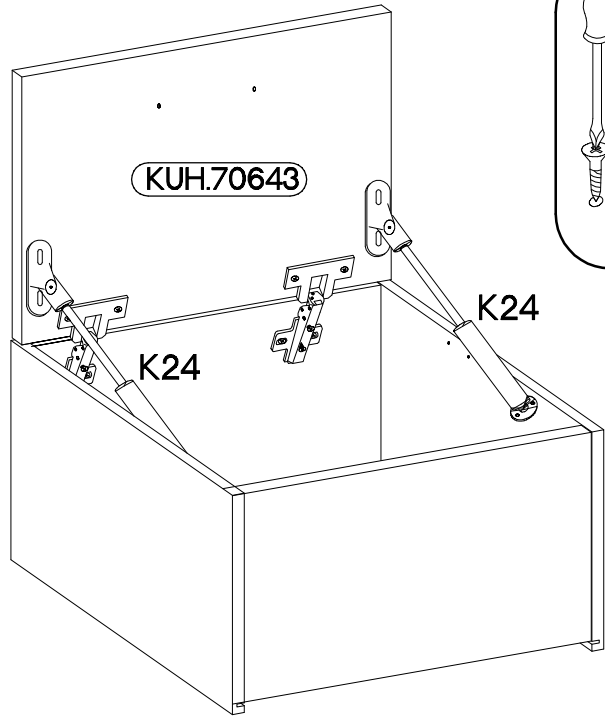
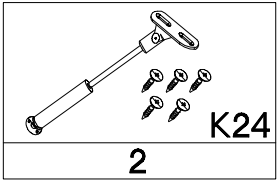
5



6



7



8

