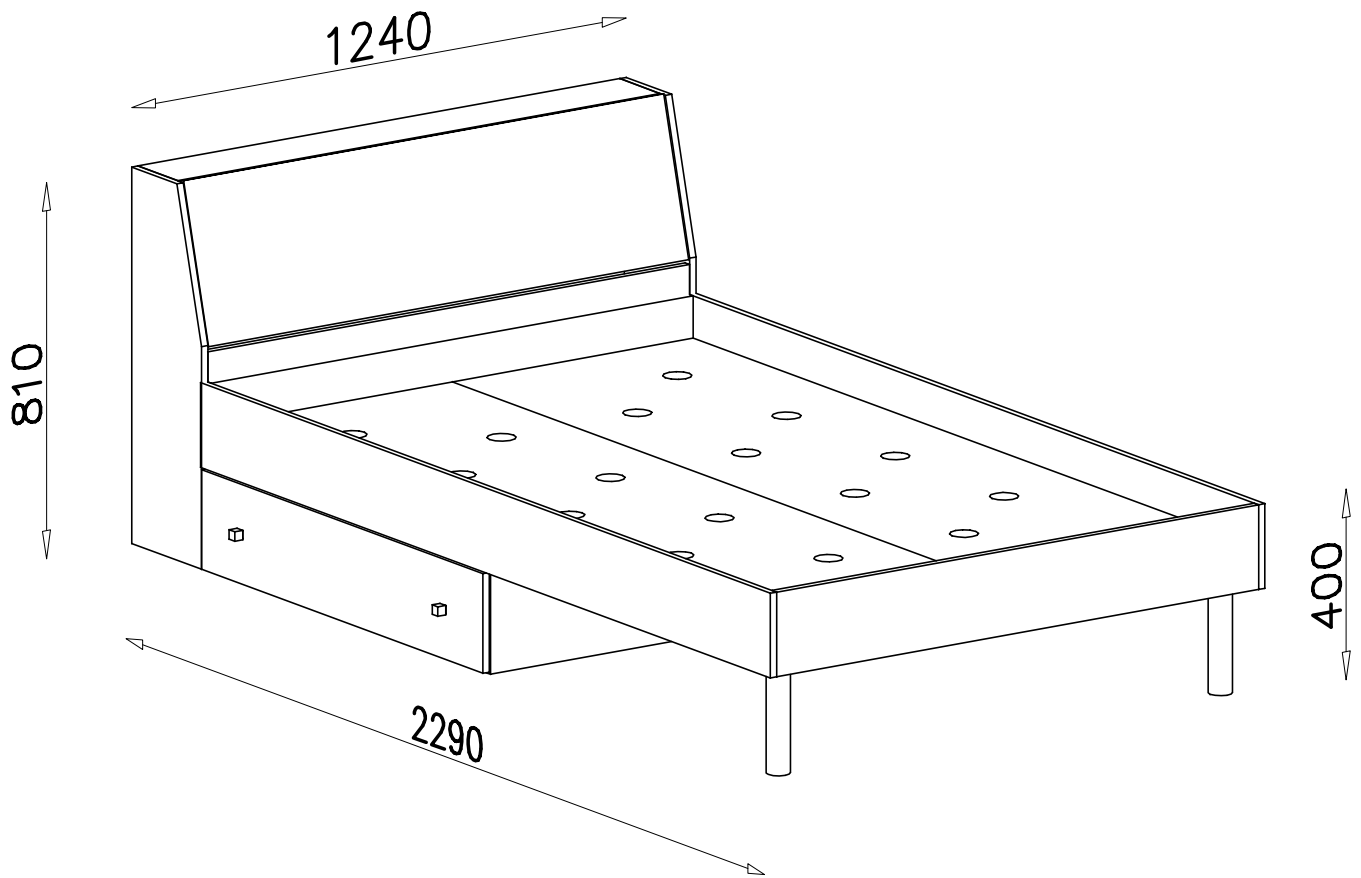
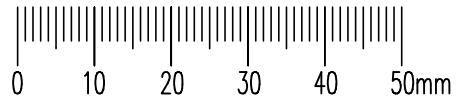
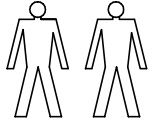
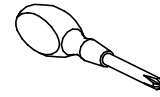
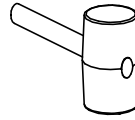
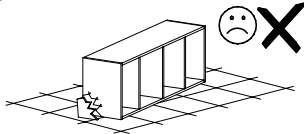
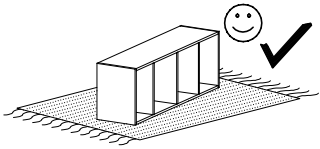
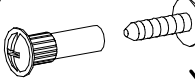

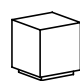
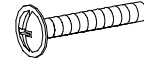
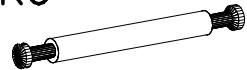
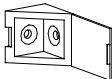
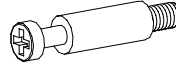
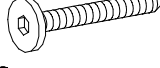
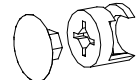
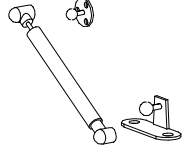
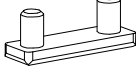


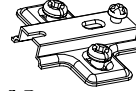



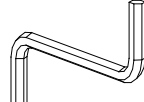
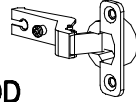
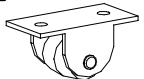
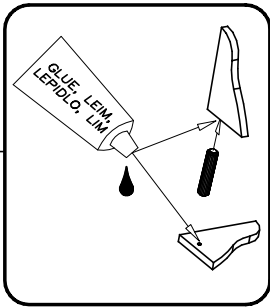
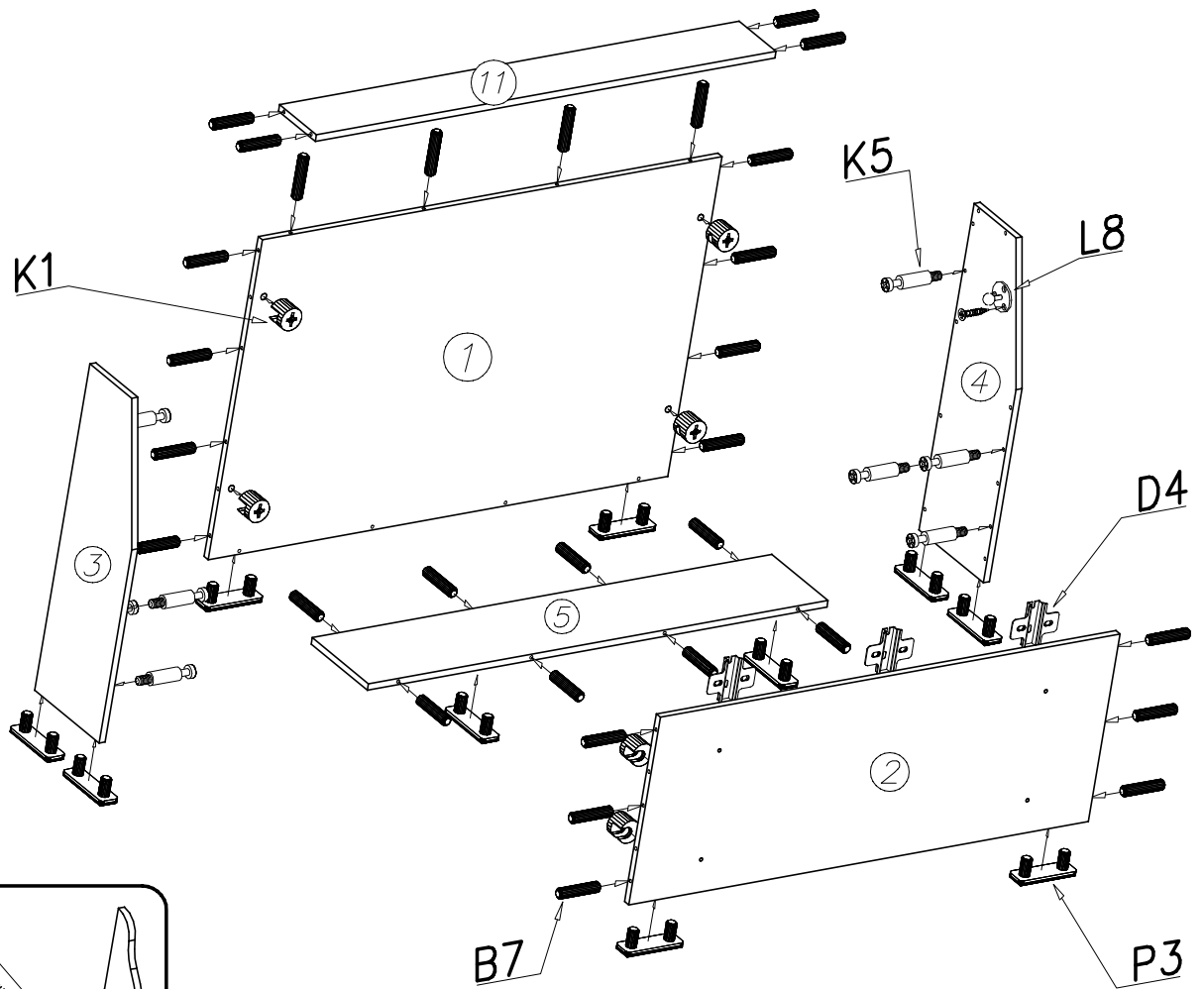


FARO FR15 L/P

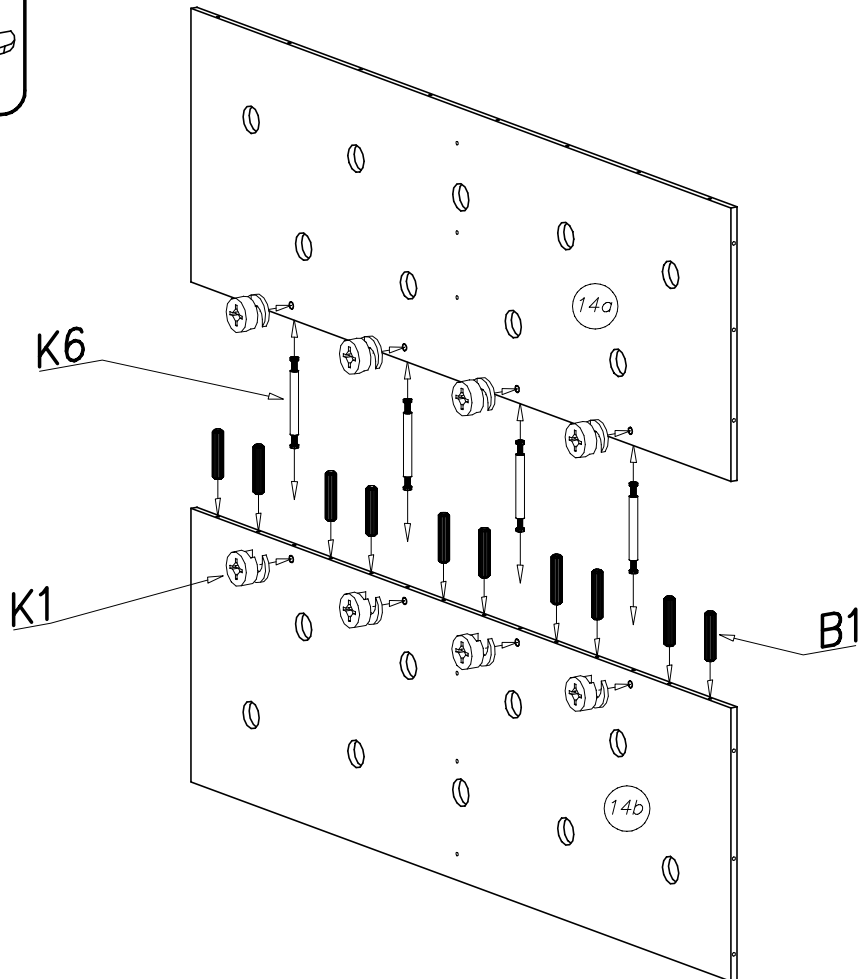


N7  x4	P27  300mm x2	E38  x2	N13  M4x22 x2	K6  x4
F4  x16	K5  x12	N4  M6x40 x2	K1  ø15x12 x20	L8  x1
P3  x14	G4  4x16 x46	W1  x6 GLUE, LEIM, LEPIDLO, LIM	D4  PZ350D x3	80N  x1
A1  ø7x50 x10	B7  ø8x30 x106	W2  x1	C4  Z350D x3	P24  x4

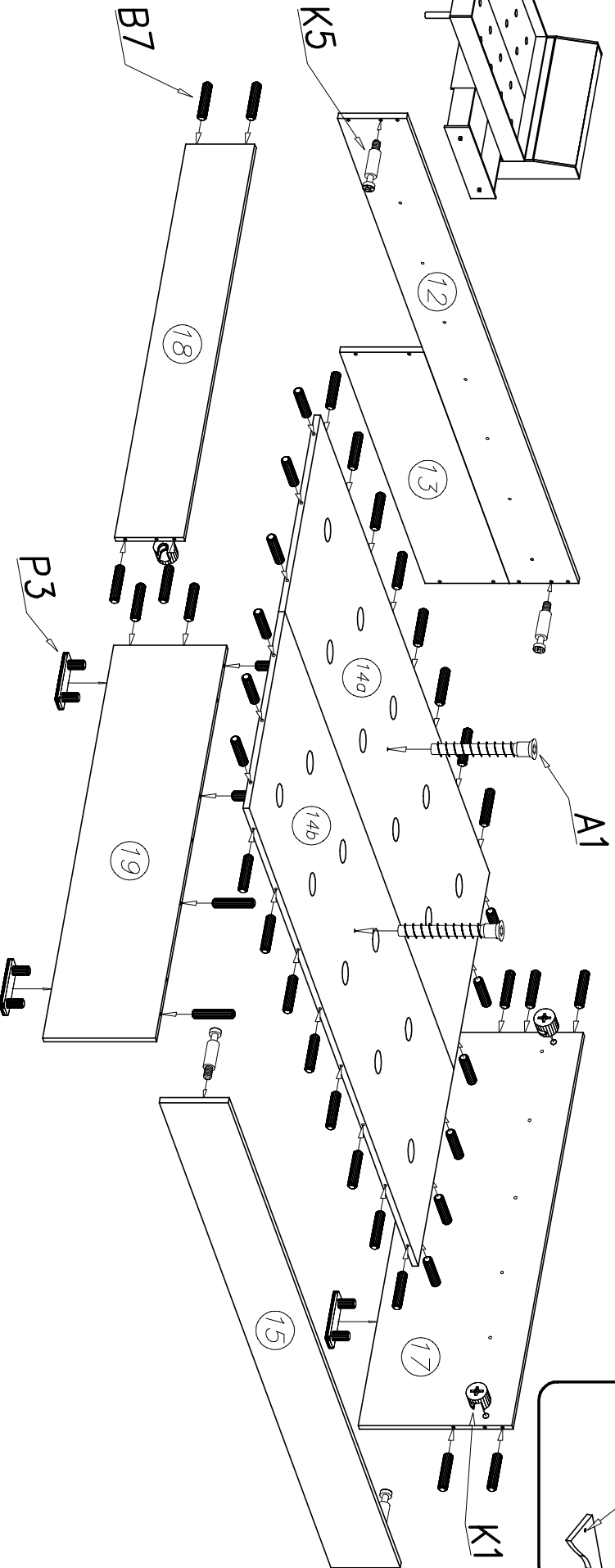
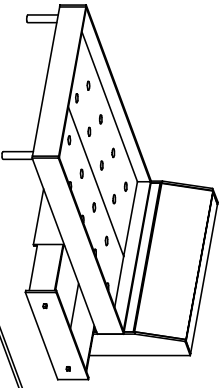
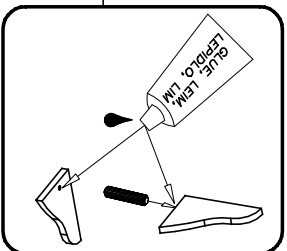
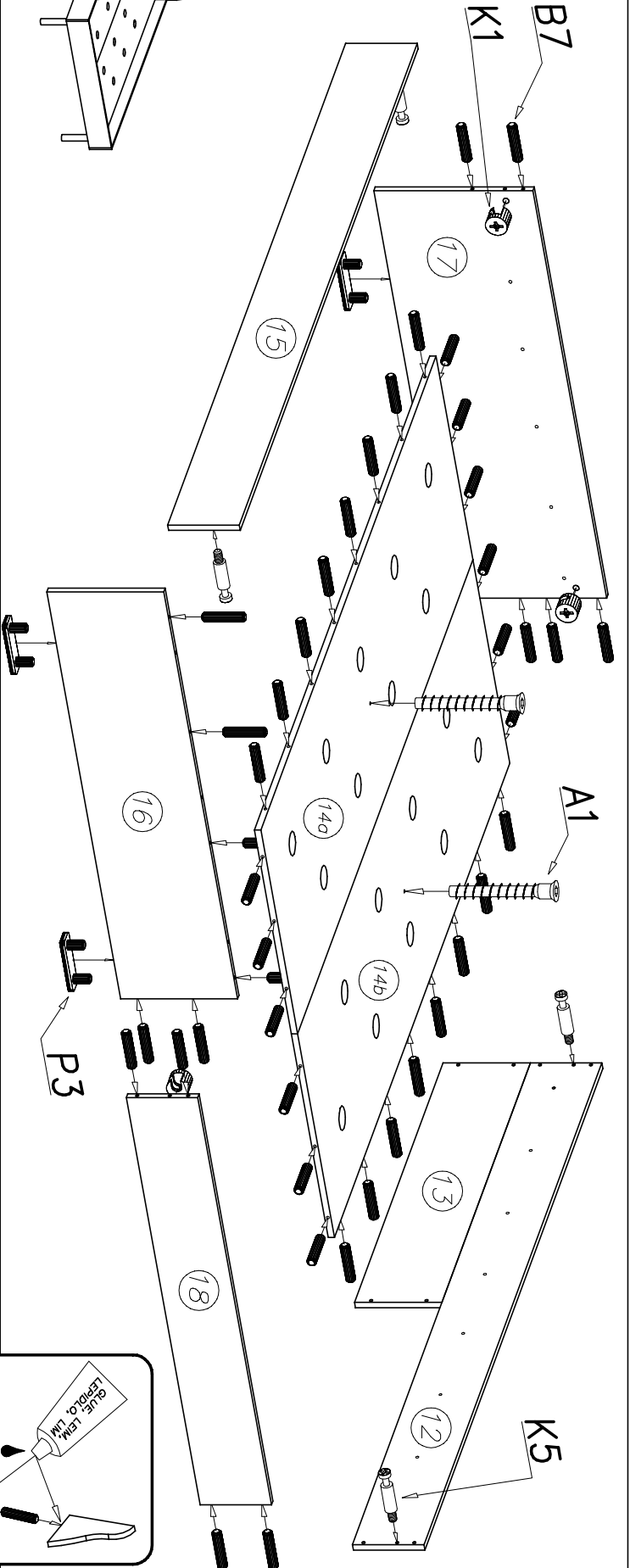
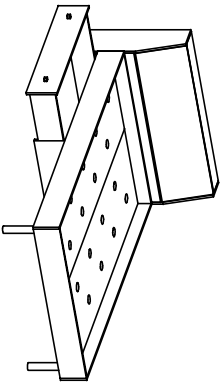
I



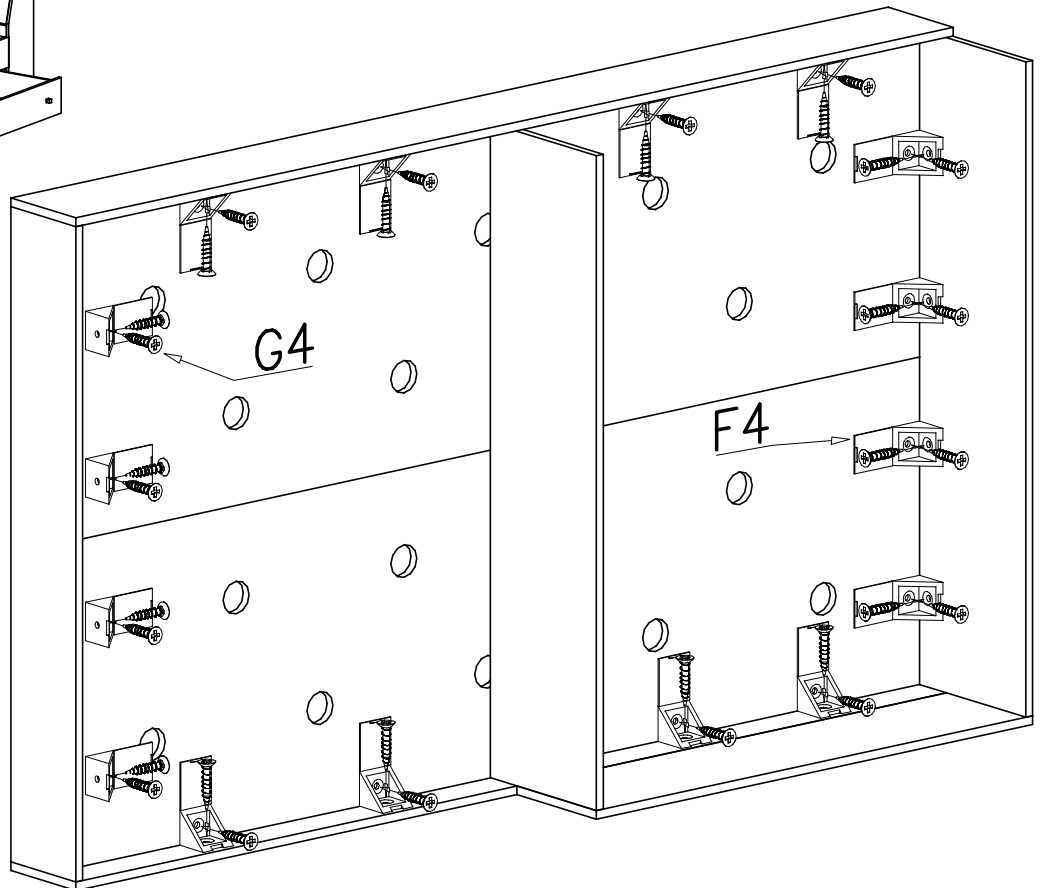
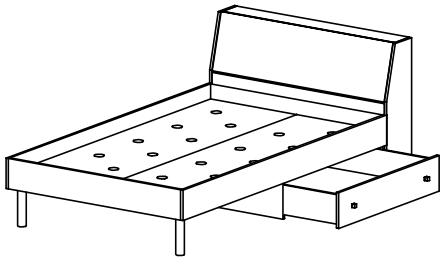
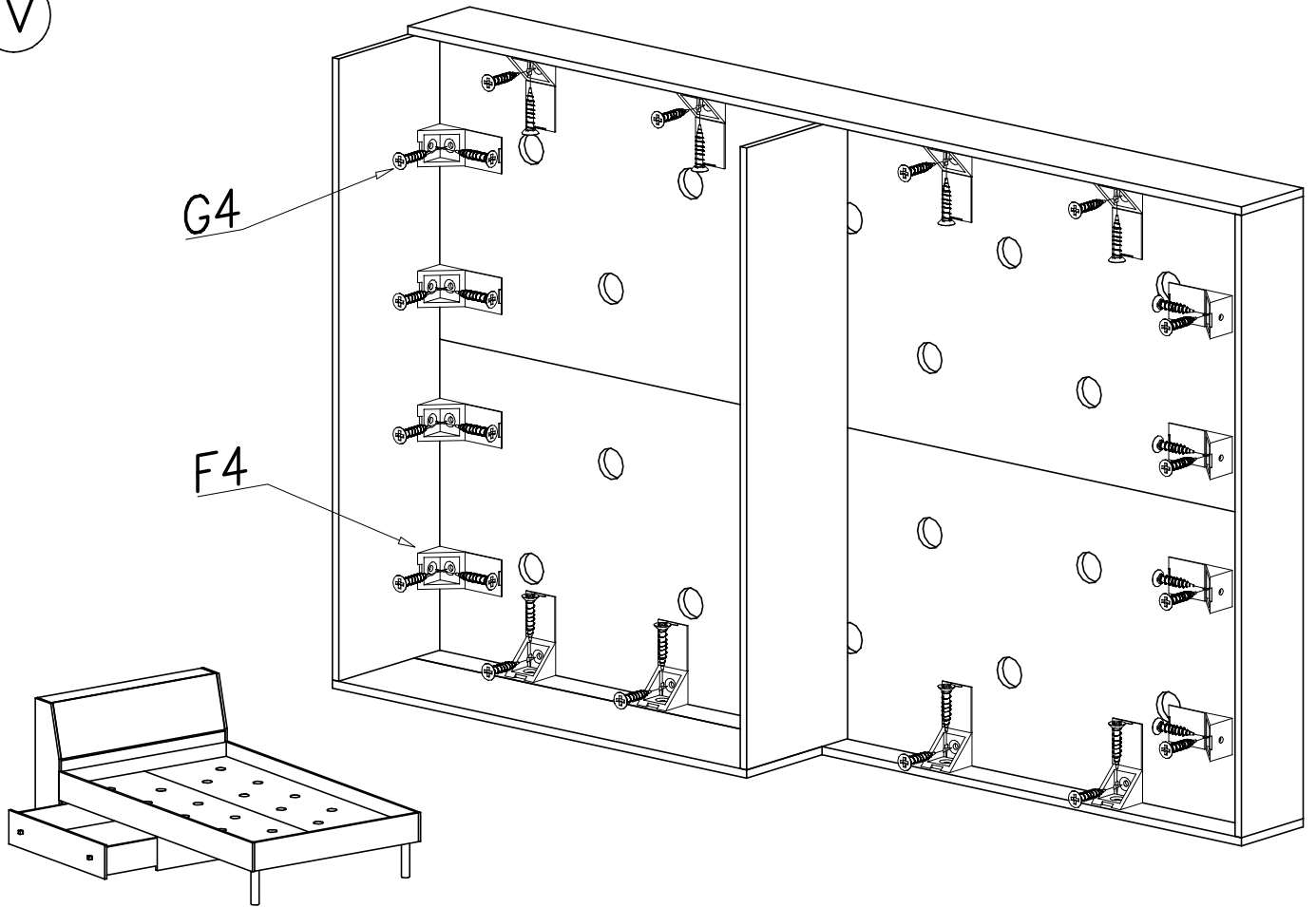
II



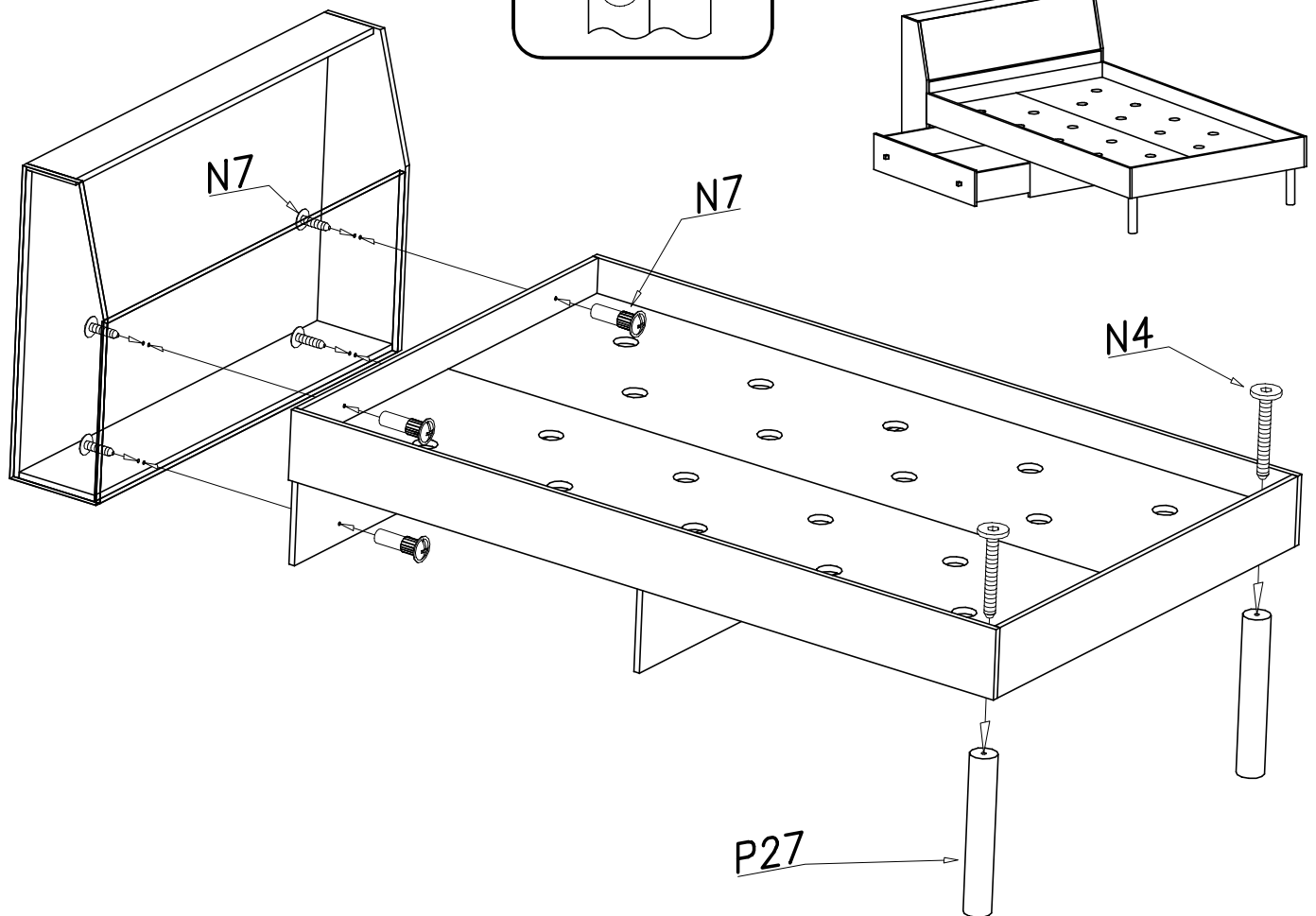
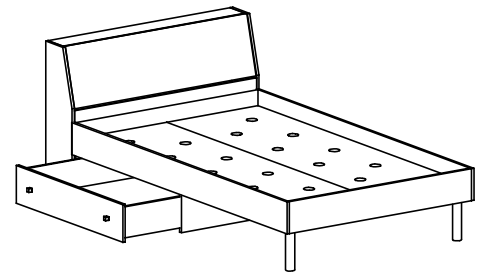
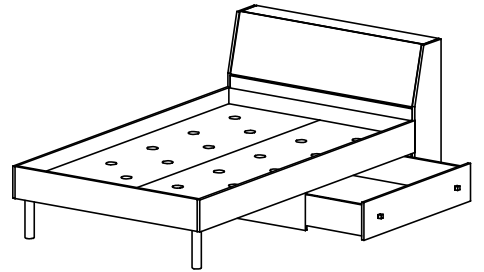
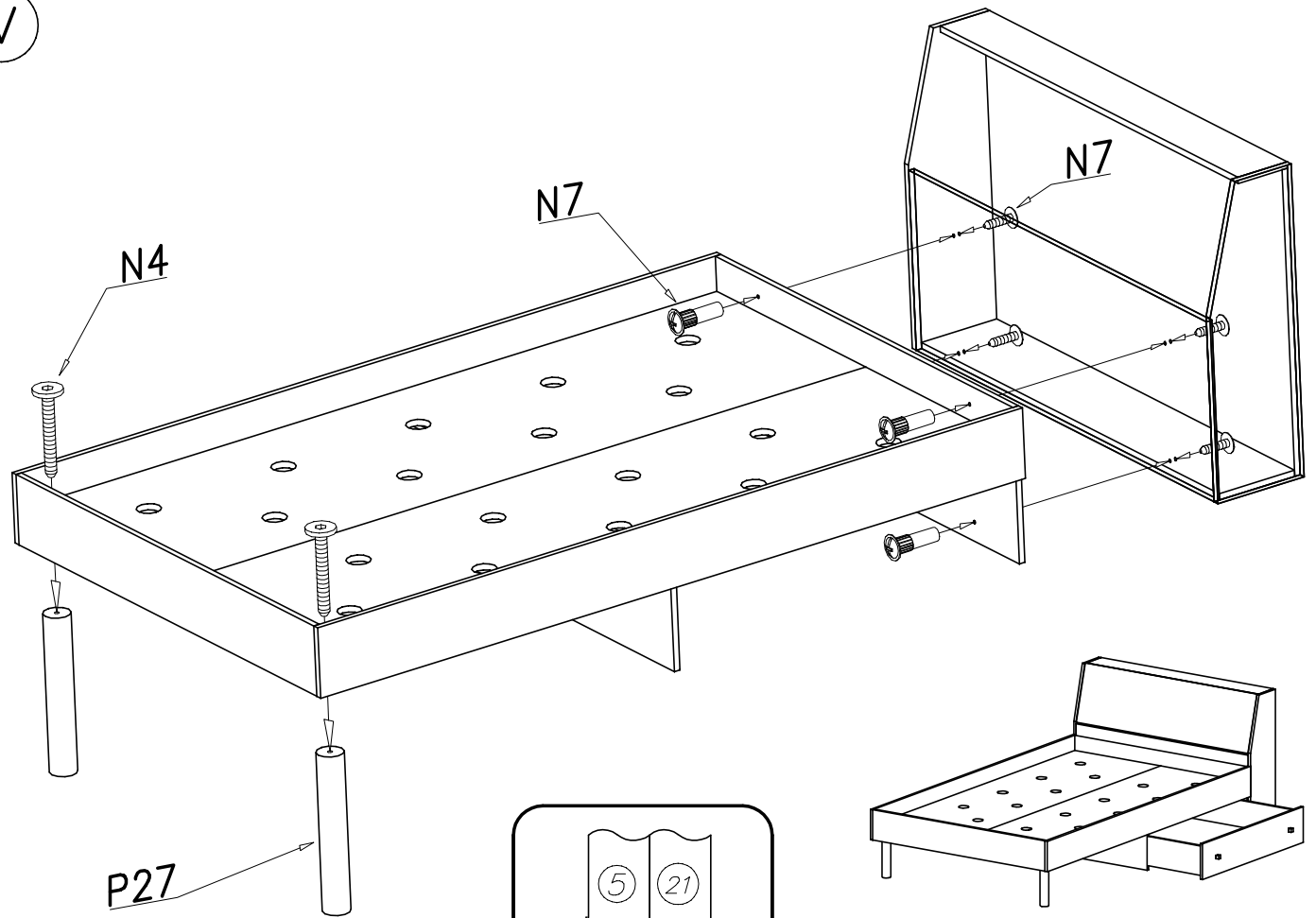
III



IV

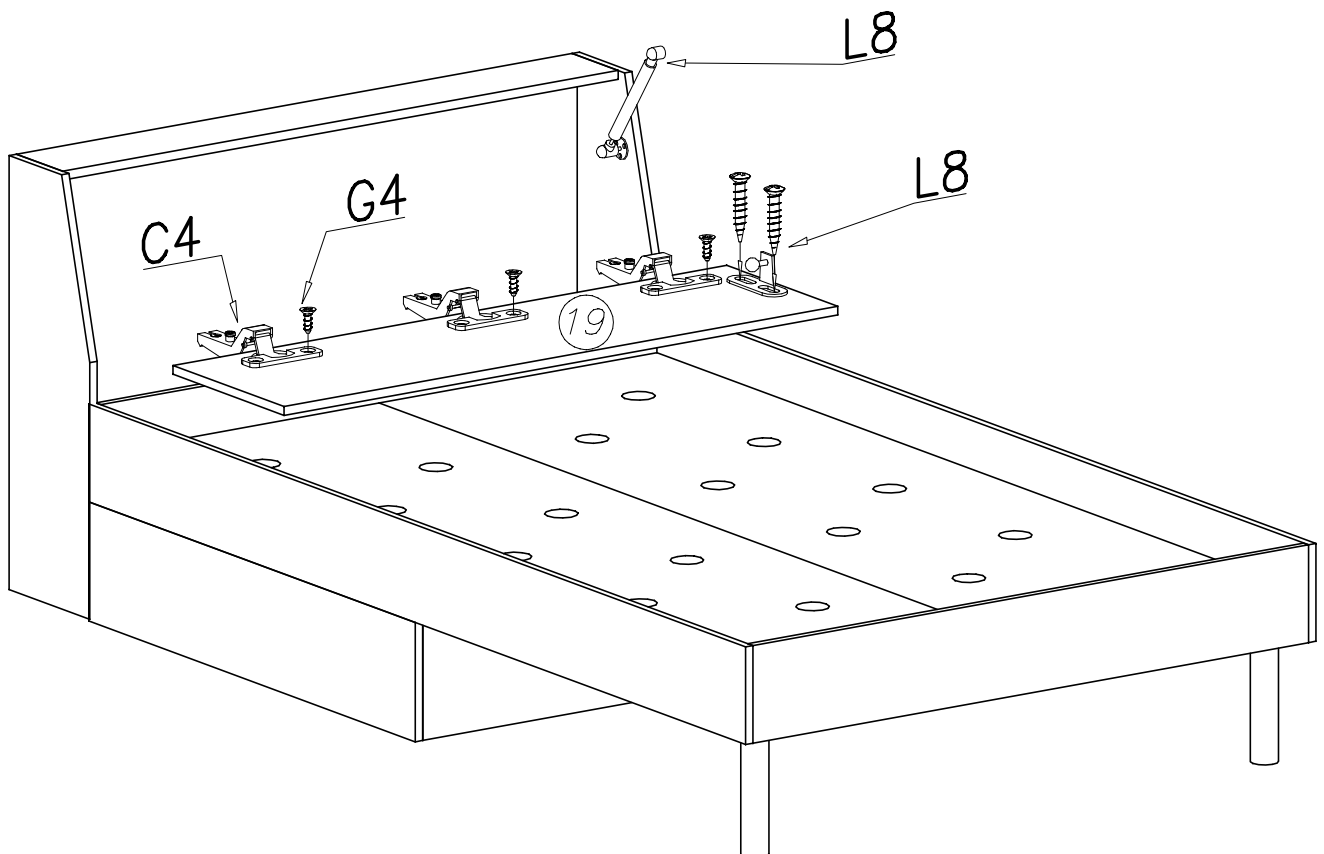
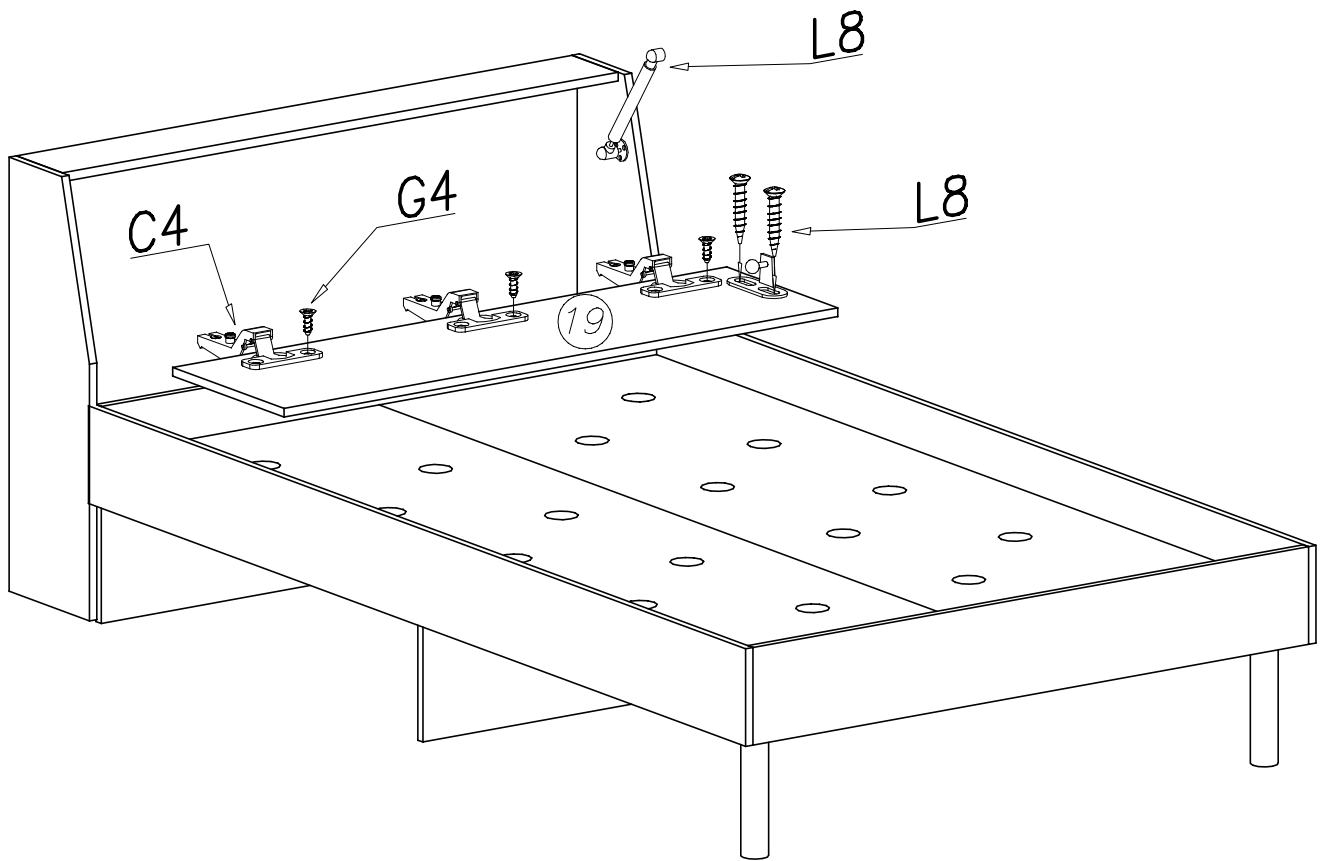


V



P27

VI



VII

